

20 30

20 20 20 30

20	13,090	5.7	845	73.2	931	75.1	491	57.9
19	13,879	0.0	488	24.7	531	22.1	311	14.2
19 12	27,594		643		709		347	

20	60	58
19	38	36
19 12	42	78

() 20 19 19 12

20	24,529	14,486	53.8	1,626 26
19	25,887	14,288	50.4	1,605 53
19 12	25,113	14,241	51.4	1,588 88

() 20 13,207 19 13,039 19 12 12,903

20	937	197	362	10,905
19	10	436	190	11,110
19 12	45	1,030	190	10,530

()				
19 12			18 00	18 00
20 12				12 00
20 12			12 00	

20 12 20 20 12 31

	26,800	2.9	1,100	70.9	1,240	74.9	600	72.7	73	88

1

4

20	8,954,000	19	8,954,000	19 12	8,954,000
20	832,797	19	832,432	19 12	832,670
				30	

20

20

20

30

20	11,348	11.6	553	56.8	739
19	12,845	1.6	353	24.8	437
19 12	24,485		121		249
					134

20	53	72
19	31	77
19 12	16	53

20	21,266	12,182	57.3	1,500.05
19	22,939	12,154	53.0	1,496.52
19 12	21,733	11,905	54.8	1,465.97

() 20 12,182 19 12,154 19 12 11,905

20 12

20

20 12 31

	24,300	0.8	700	474.4
			920	268.6
			540	302.1
				66.49

1 97

4 36

3 62

1 90

	18 6	19 6	20 6
()	52 8	50 4	53 8
()	50 8	44 3	24 8

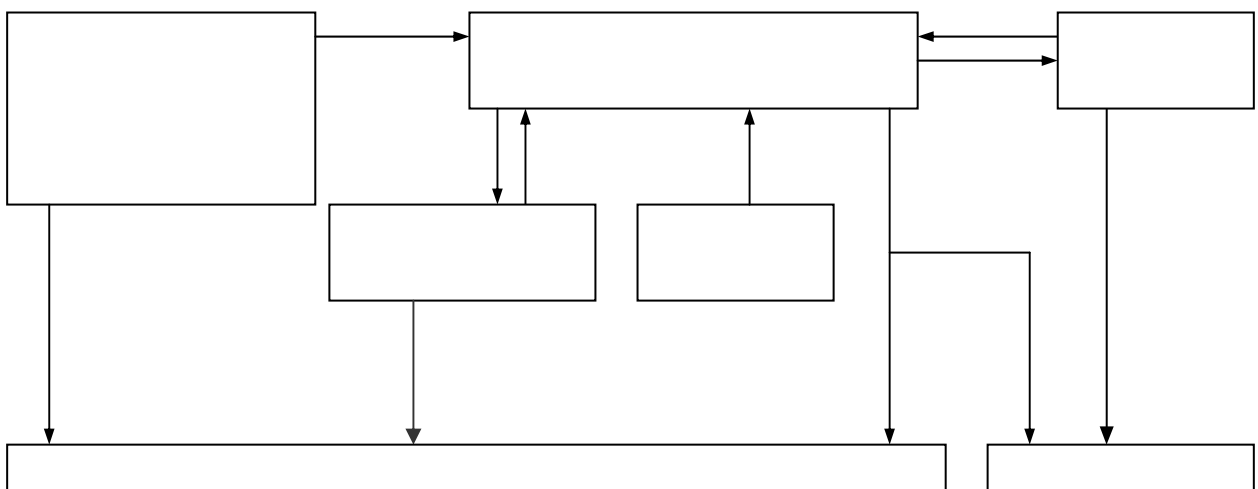
× ()

12

12

20 6 10

88.9



(1)

		17,161 ()		52.1					
		20,000		100					
		85,000		100					
		10,000		100					
		10,000		100					
		20,000		100					
		20,000		100					
		90,000		88.9					

(2)

		100		26.4					

19 12

19 8 10

URL

<http://www.nakano-reiki.com/>

JDS

<http://jds.jasdaq.co.jp/tekiji/>

1

		19 30		20 30		19 12 31	
			11,368,916		11,255,688		11,188,770
			6,343,520		4,680,163		5,814,802
			1,839,414		2,026,311		1,641,130
			225,653		203,727		123,451
			154,726		108,602		249,024
			38,402		2,595		33,679
			19,893,829	76.8	18,271,897	74.5	18,983,499
()		3,874,570		3,981,587		3,891,449	
()		2,429,259	1,445,310	2,636,481	1,345,105	2,500,077	1,391,371
()		3,886,451		4,489,974		4,178,243	
()		2,360,233	1,526,218	2,623,129	1,866,844	2,392,934	1,785,308
()			2,971,529	11.5	3,211,950	13.1	3,176,680
()					25,038		
()			354,703		336,684		347,499
()			354,703	1.4	361,723	1.5	347,499
()			1,610,205		1,375,986		1,434,580
()			699,499		743,074		762,452
()			416,230		625,912		479,827
()			58,947		60,933		70,927
			2,666,987	10.3	2,684,040	10.9	2,605,933
			5,993,220	23.2	6,257,713	25.5	6,130,113
			25,887,050	100.0	24,529,611	100.0	25,113,613

		19 30		20 30		19 12 31	
		6,525,267		4,928,806		6,233,149	
		265,000		265,000		322,724	
		1,125,524		879,118		632,669	
		245,082		391,938		41,003	
		141,212		122,685		115,233	
		206,302		184,357		154,578	
		204,727		285,093		408,803	
		8,713,117	33.7	7,057,000	28.7	7,908,162	31.5
		2,270,150		2,343,633		2,310,580	
		208,919		231,544		220,194	
		406,657		7,919		9,133	
		406,657		402,731		424,159	
		2,885,728	11.1	2,985,829	12.2	2,964,068	11.8
		11,598,845	44.8	10,042,829	40.9	10,872,231	43.3
		822,650	3.2	822,650	3.4	822,650	3.3
		522,058	2.0	522,058	2.1	522,058	2.1
		11,403,632	44.1	11,777,350	48.0	11,439,522	45.5
		480,241	1.9	480,654	2.0	480,566	1.9
		12,268,100	47.4	12,641,405	51.5	12,303,665	49.0
		490,434	1.9	352,620	1.4	366,083	1.5
		280,851	1.1	213,164	0.9	234,029	0.9
		771,286	3.0	565,784	2.3	600,113	2.4
		1,248,817	4.8	1,279,591	5.3	1,337,603	5.3
		14,288,204	55.2	14,486,781	59.1	14,241,382	56.7
		25,887,050	100.0	24,529,611	100.0	25,113,613	100.0

2

		19 19 30		20 20 30		19 19 12 31	
		13,879,964	100.0	13,090,755	100.0	27,594,455	100.0
		11,941,688	86.0	10,967,451	83.8	24,231,956	87.8
		1,938,276	14.0	2,123,304	16.2	3,362,498	12.2
		1,449,812	10.5	1,277,371	9.7	2,718,947	9.9
		488,464	3.5	845,933	6.5	643,551	2.3
	17,849			31,629		45,622	
	11,907			13,350		17,813	
	4,426			3,604		8,954	
				43,048		7,017	
	835						
	5,067					5,903	
	8,406	48,494	0.3	10,798	102,430	17,456	102,768
	5,133			5,550		10,479	
				11,805		24,337	
		5,133	0.0	6	17,362	2,339	37,156
		531,825	3.8		931,001		709,163
	819					627	
	6,003					5,804	
	13,952			2,380		13,952	
				37,882			
	1,340	22,115	0.2	2,497	42,760	1,340	21,724
	282			3,863		5,818	
				2,812			
	582			14,275		546	
	680					3,540	
		1,545	0.0		20,950	5,004	14,909
		552,395	4.0		952,811		715,978
	239,974			412,913		112,319	
	21,193	218,781	1.6	32,005	380,908	102,338	214,658
		22,031	0.2		79,907		153,848
		311,581	2.2		491,995		347,471

3

19

19

30

18 12 31	822,650	522,058	11,241,039	480,166	12,105,581
			146,189		146,189
			2,799		2,799
			311,581		311,581
				75	75
(
			162,593	75	162,518
19 30	822,650	522,058	11,403,632	480,241	12,268,100

18 12 31	558,699	204,011	762,711	1,199,797	14,068,090
					146,189
					2,799
					311,581
					75
(68,265	76,840	8,575	49,020	57,595
	68,265	76,840	8,575	49,020	220,114
19 30	490,434	280,851	771,286	1,248,817	14,288,204

	20	20	30		
19 12 31	822,650	522,058	11,439,522	480,566	12,303,665
			146,183		146,183
			7,983		7,983
			491,995		491,995
				88	88
(
			337,828	88	337,739
20 30	822,650	522,058	11,777,350	480,654	12,641,405

19 12 31	366,083	234,029	600,113	1,337,603	14,241,382
					146,183
					7,983
					491,995
					88
(13,463	20,865	34,329	58,011	92,340
	13,463	20,865	34,329	58,011	245,399
20 30	352,620	213,164	565,784	1,279,591	14,486,781

19

19 12 31

18 12 31	822,650	522,058	11,241,039	480,166	12,105,581
			146,189		146,189
			2,799		2,799
			347,471		347,471
				400	400
			198,483	400	198,083
19 12 31	822,650	522,058	11,439,522	480,566	12,303,665

18 12 31	558,699	204,011	762,711	1,199,797	14,068,090
					146,189
					2,799
					347,471
					400
	192,615	30,018	162,597	137,806	24,791
	192,615	30,018	162,597	137,806	173,292
19 12 31	366,083	234,029	600,113	1,337,603	14,241,382

4

		19 19 30	20 20 30	19 19 12 31
		552,395	952,811	715,978
		115,661	136,383	240,718
		3,823	40,752	10,817
		13,500	7,451	12,478
		12,000		12,000
		40,415	29,874	10,767
		14,253	33,052	48,494
		11,275	11,350	22,550
		29,757	44,979	63,436
		5,133	5,550	10,479
				5,004
		680		3,540
		13,952	2,380	13,952
		1,340	2,497	1,340
		282	3,863	5,818
		819		627
		6,003		5,804
			2,812	
		582	14,275	546
			43,048	
		872,002	1,137,037	352,056
		8,426	370,276	204,431
		14,047	19,249	7,144
		87,488	1,282,608	159,571
		338,184	270,114	146,932
		2,524	23,620	42,757
		227,851	822,403	453,799

		19 19 30	20 20 30	19 19 12 31
		32, 976 8, 873 241, 296	44, 519 11, 508 66, 925 148, 539	66, 653 8, 364 466, 358
		10, 657	937, 027	45, 729
		117, 765 2, 131 458, 784 129, 392 6, 724 6, 003 3, 993 1, 909 100 3, 619 4	259, 051 11, 064 5, 323, 687 5, 428, 376 6, 456 25, 384 39, 544 120, 000 554 82, 521 539 3, 280	122, 201 2, 009 13, 930 832, 347 124, 872 13, 583 15, 642 240, 412 6, 135 1, 269 100 45, 501 2, 988
		436, 330	197, 017	1, 030, 134
		47 145, 680 44, 365	57, 724 30, 575 88 145, 367 128, 333	400 146, 073 44, 365
		190, 093	362, 087	190, 839

		19 19 30	20 20 30	19 19 12 31
		33,674	2,344	13,390
		582,091	375,577	1,161,853
		11,692,224	10,530,371	11,692,224
		11,110,132	10,905,949	10,530,371

6

	19 19 30	20 20 30	19 19 12 31
		() () () () () () ()	() () () () () ()
		()	() 19 11 30
	(1)	(1)	(1)

	19 19 30	20 20 30	19 19 12 31
	(2)	(2)	(2)
	10	10	10
	19 4 1	19 31	19
	(3)	(3)	(3)

	19 19 30	20 20 30	19 19 12 31
	19		19
		() ()	() ()
		() ()	
		()	()
			()
	(4)	(4)	(4)

	19 19 30	20 20 30	19 19 12 31
	(5)	(5)	(5)
	(6)	(6 () () () () () ()	(6 () () () ()
	(7)	(7)	(7)

19 19 30	20 20 30
100 10 2 471	

8

19 30		20 30		19 12 31	
	106,469		97,083		118,947
	574,459		574,459		680,359
	<u>680,929</u>		<u>671,553</u>		<u>799,306</u>
150,000		150,000		207,724	30,575
	24,117				208,084
	62,046				180,143
					()
					()
	1,700,000		1,700,000		1,700,000
	265,000		265,000		265,000
	<u>1,435,000</u>		<u>1,435,000</u>		<u>1,435,000</u>

19 19 30	20 20 30	19 19 12 31
99,797	82,615	131,648
8,818	485,859	20,678
520,035	33,399	1,067,805
40,397	22,200	32,102
23,874	11,350	40,657
11,275		22,550
819		612
<hr/> 819		14
		<hr/> 627
30	253	87
251	<hr/> 253	<hr/> 87
<hr/> 282		
	963	4,886
	68	844
	2,577	<hr/> 5,730
	<hr/> 3,609	

19

19 30

	8,954,000			8,954,000
	8,954,000			8,954,000
	832,379	53		832,432
	832,379	53		832,432

53

19 29		146,189,178	18	18 12 31	19 30

20

20 30

	8,954,000			8,954,000
	8,954,000			8,954,000
	832,670	127		832,797
	832,670	127		832,797

127

20 28		146 183 940	18	19 12 31	20 31

19

19 12 31

	8 954 000			8 954 000
	8 954 000			8 954 000
	832 379	291		832 670
	832 379	291		832 670

291

19 29		146 189 178	18	18 12 31	19 30

20 28		146 183 940	18	19 12 31	20 31

19 19 30	20 20 30	19 19 12 31
<p style="text-align: right;">11,368,916</p> <p style="text-align: right;">3 258,784</p> <hr/> <p style="text-align: right;">11,110,132</p>	<p style="text-align: right;">11,255,688</p> <p style="text-align: right;">3 349,739</p> <hr/> <p style="text-align: right;">10,905,949</p>	<p style="text-align: right;">11,188,770</p> <p style="text-align: right;">3 658,399</p> <hr/> <p style="text-align: right;">10,530,371</p>
	<p style="text-align: right;">()</p> <p style="text-align: right;">()</p> <p style="text-align: right;">()</p>	<p style="text-align: right;">()</p> <p style="text-align: right;">()</p> <p style="text-align: right;">()</p>
		<p style="text-align: right;">233,379</p> <p style="text-align: right;">265,620</p> <p style="text-align: right;">159,589</p> <p style="text-align: right;">43,877</p> <p style="text-align: right;">9,133</p> <hr/> <p style="text-align: right;">286,400</p> <p style="text-align: right;">()</p> <p style="text-align: right;">()</p> <p style="text-align: right;">45,987</p> <hr/> <p style="text-align: right;">240,412</p>
	<p style="text-align: right;">()</p> <p style="text-align: right;">80,000</p> <p style="text-align: right;">()</p> <p style="text-align: right;">40,455</p> <hr/> <p style="text-align: right;">()</p> <p style="text-align: right;">39,544</p> <hr/>	

19 19 30
10

20 20 30

	470,896	1,045,278	1,516,174
			13,090,755
	3.6	8.0	11.6

1
2

19 19 12 31

	1,114,722	1,899,492	3,014,215
			27,594,455
	4.0	6.9	10.9

1
2

19 30

(1)	557,966	1,382,227	824,260
(2)			
	557,966	1,382,227	824,260

(1)	
(2)	8,250
(3)	227,978
	236,228

582

50

30 50

20 30

(1)	555,319	1,147,958	592,639
(2)			
	555,319	1,147,958	592,639

(1)	
(2)	
(3)	228,028
	228,028

14,275

50

30 50

19 12 31

(1)	590,774	1,206,602	615,827
(2)			
	590,774	1,206,602	615,827

(1)	
(2)	
(3)	227,978
	227,978

546

50

30 50

19 19 30

20 20 30

19 19 12 31

19 19 30

20 20 30

19 19 12 31

19 19 30

20 20 30

19 19 12 31

19 19 30	20 20 30	19 19 12 31
1,605 53	1,626 26	1,588 88
38 36	60 58	42 78

	19 19 30	20 20 30	19 19 12 31
	311,581	491,995	347,471
	311,581	491,995	347,471
	8,121,586	8,121,300	8,121,474

1

		(19 30)		(20 30)		(19 12 31)			
		10,180,907		9,930,475		9,648,483			
		1,624,651		690,304		1,018,107			
		3,653,861		2,757,168		3,545,151			
		1,339,173		1,300,944		1,138,998			
		178,852		175,351		119,869			
		214,056		145,959		266,575			
		38,744		2,116		33,437			
			17,152,757	74.8		14,998,086	70.5	15,703,747	72.3
()	1, 2	755,750		705,330		731,356			
()		1,209,382		1,300,389		1,345,861			
			1,965,133	8.5		2,005,720	9.4	2,077,217	9.6
			16,395	0.1		20,467	0.1	21,860	0.1
()		1,610,205		1,375,936		1,406,519			
()		916,716		916,716		916,716			
()		691,892		732,713		757,538			
()		600,291		1,243,107		881,182			
		14,170		26,712		31,312			
			3,804,934	16.6		4,241,761	20.0	3,930,644	18.0
			5,786,463	25.2		6,267,949	29.5	6,029,722	27.7
			22,939,221	100.0		21,266,036	100.0	21,733,469	100.0

		(19 30)		(20 30)		(19 12 31)			
		544,917		479,907		706,239			
		5,400,994		3,833,111		4,840,903			
		250,000		250,000		250,000			
		976,756		697,699		510,817			
		219,273		352,263		6,833			
		137,712		118,885		111,433			
		190,882		168,127		139,302			
		181,208		222,920		351,178			
			7,901,745	34.4		6,122,916	28.8	6,916,708	31.8
		2,267,800		2,333,783		2,301,610			
		208,919		231,544		220,194			
		406,657		395,618		389,305			
			2,883,378	12.6		2,960,946	13.9	2,911,111	13.4
			10,785,123	47.0		9,083,862	42.7	9,827,819	45.2

		(19 30)		(20 30)		(19 12 31)	
(1		822,650	3.6	822,650	3.9	822,650	3.8
	522,058			522,058		522,058	
(1		522,058	2.3	522,058	2.4	522,058	2.4
	205,662			205,662		205,662	
(2		161,779		156,827		159,246	
	9,914,000			9,914,000		9,914,000	
	517,753			689,008		396,514	
		10,799,195	47.1	10,965,498	51.6	10,675,423	49.1
		480,241	2.1	480,654	2.3	480,566	2.2
		11,663,663	50.9	11,829,553	55.6	11,539,566	53.1
		490,434		352,620		366,083	
		490,434	2.1	352,620	1.7	366,083	1.7
		12,154,098	53.0	12,182,173	57.3	11,905,649	54.8
		22,939,221	100.0	21,266,036	100.0	21,733,469	100.0

2

		19 19 30		20 20 30		19 19 12 31	
		12,845,128	100.0	11,348,723	100.0	24,485,741	100.0
		11,257,378	87.6	9,783,146	86.2	22,086,688	90.2
		1,587,749	12.4	1,565,576	13.8	2,399,053	9.8
		1,234,630	9.6	1,011,869	8.9	2,277,182	9.3
		353,119	2.8	553,707	4.9	121,870	0.5
		88,924	0.6	190,691	1.7	140,317	0.6
		5,038	0.0	5,129	0.1	12,617	0.1
		437,005	3.4	739,270	6.5	249,570	1.0
		15,360	0.1	37,844	0.3	15,385	0.1
		1,516	0.0	15,047	0.1	14,364	0.1
		450,849	3.5	762,067	6.7	250,592	1.0
		213,608		347,301		59,144	
		20,819	192,789	21,492	325,808	57,160	116,304
			1.5		2.9		0.5
			258,030		436,259		134,287
			2.0		3.8		0.5

3

19 1

19

30

18 12 31	822,650	522,058	522,058	205,662	164,312	9,714,000	603,349	10,687,325	480,166	11,551,867
					2,533		2,533			
						200,000	200,000			
							146,189	146,189		146,189
							258,060	258,060		258,060
									75	75
					2,533	200,000	85,596	111,870	75	111,795
19 6 30	822,650	522,058	522,058	205,662	161,779	9,914,000	517,753	10,799,195	480,241	11,663,663

18 12 31	558,699	558,699	12,110,567
			146,189
			258,060
			75
	68,265	68,265	68,265
	68,265	68,265	43,530
19 6 30	490,434	490,434	12,154,098

20 1 20 30

19 12 31	822,650	522,058	522,058	205,662	159,246	9,914,000	396,514	10,675,423	480,566	11,539,566
					2,419		2,419			
							146,183	146,183		146,183
							436,259	436,259		436,259
									88	88
					2,419		292,494	290,075	88	289,987
20 6 30	822,650	522,058	522,058	205,662	156,827	9,914,000	689,008	10,965,498	480,654	11,829,553

19 12 31	366,083	366,083	11,905,649
			146,183
			436,259
			88
	13,463	13,463	13,463
	13,463	13,463	276,523
20 6 30	352,620	352,620	12,182,173

19 1

19 12 31

18 12 31	822,650	522,058	522,058	205,662	164,312	9,714,000	603,349	10,687,325	480,166	11,551,867
					5,066		5,066			
						200,000	200,000			
							146,189	146,189		146,189
							134,287	134,287		134,287
									400	400
					5,066	200,000	206,835	11,901	400	12,301
19 12 31	822,650	522,058	522,058	205,662	159,246	9,914,000	396,514	10,675,423	480,566	11,539,566

18 12 31	558,699	558,699	12,110,567
			146,189
			134,287
			400
	192,615	192,615	192,615
	192,615	192,615	204,917
19 12 31	366,083	366,083	11,905,649

5

	19 19 30	20 20 30	19 19 12 31
	(1)	(1)	(1)
	(2)	(2)	(2)
	(1 10 19 4 1 (2)	(1 10 19 31 (2)	(1 10 19 (2)

	19 19 30	20 20 30	19 19 12 31
	(1)	(1)	(1)
	(2)	(2)	(3)
	(3)	(3)	(3)
	19		19 29
	(4)	(4)	(4)
	(5)	(5)	(5)
	(6)	(6)	(6)

	19 19 30	20 20 30	19 19 12 31
	(1	(1	(1

7

(19 30)	(20 30)	(19 12 31)
3,122,590	3,245,938	3,176,267
150,000	150,000	150,000
106,469	97,083	101,674
574,459	574,459	574,459
<hr/> 680,929	<hr/> 671,553	<hr/> 676,134
24,117		208,084
62,046		180,143
15,000	15,000	15,000
1,300,000	1,300,000	1,300,000
250,000	250,000	250,000
<hr/> 1,050,000	<hr/> 1,050,000	<hr/> 1,050,000

19 19	30	20 20	30	19 19	12	31
	14,115		21,874			35,242
	56,703		140,994			62,609
	5,038		5,122			10,278
	63,657		80,135			136,541
	126		1,393			992

19

19 30

	832,379		53	832,432
	832,379		53	832,432

53

20

20 30

	832,670		127	832,797
	832,670		127	832,797

127

19

19 12 31

	832,379		291	832,670
	832,379		291	832,670

291

